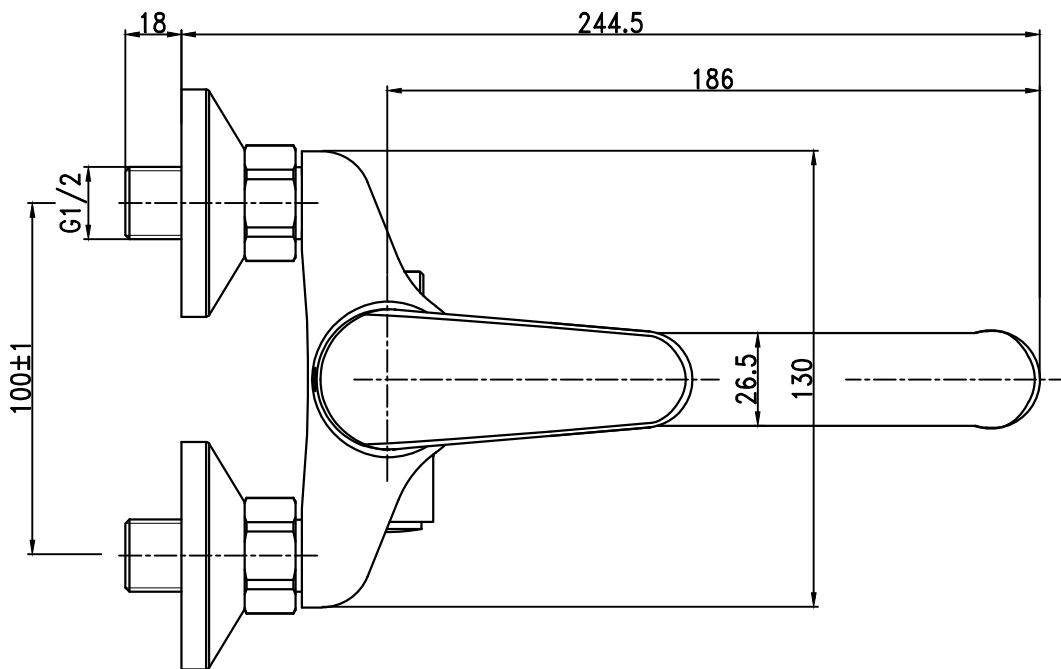
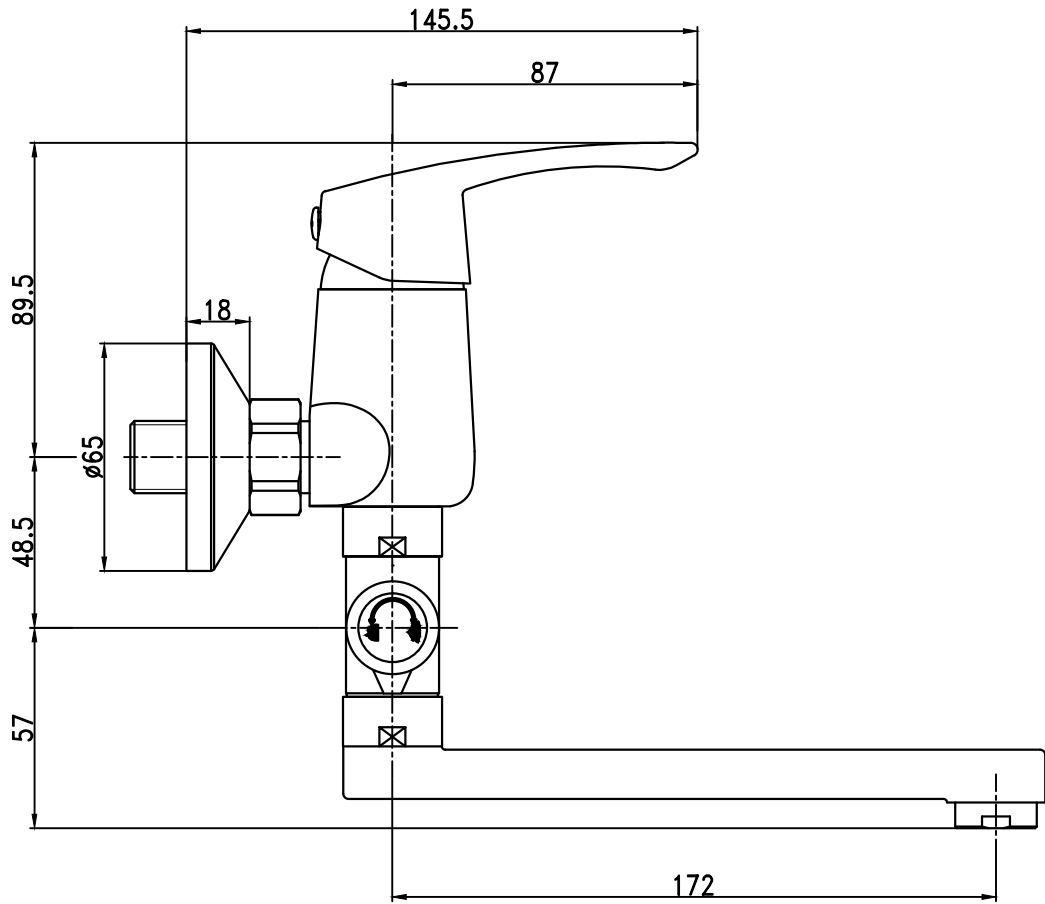


# JB SANITARY



**L10 32 00**